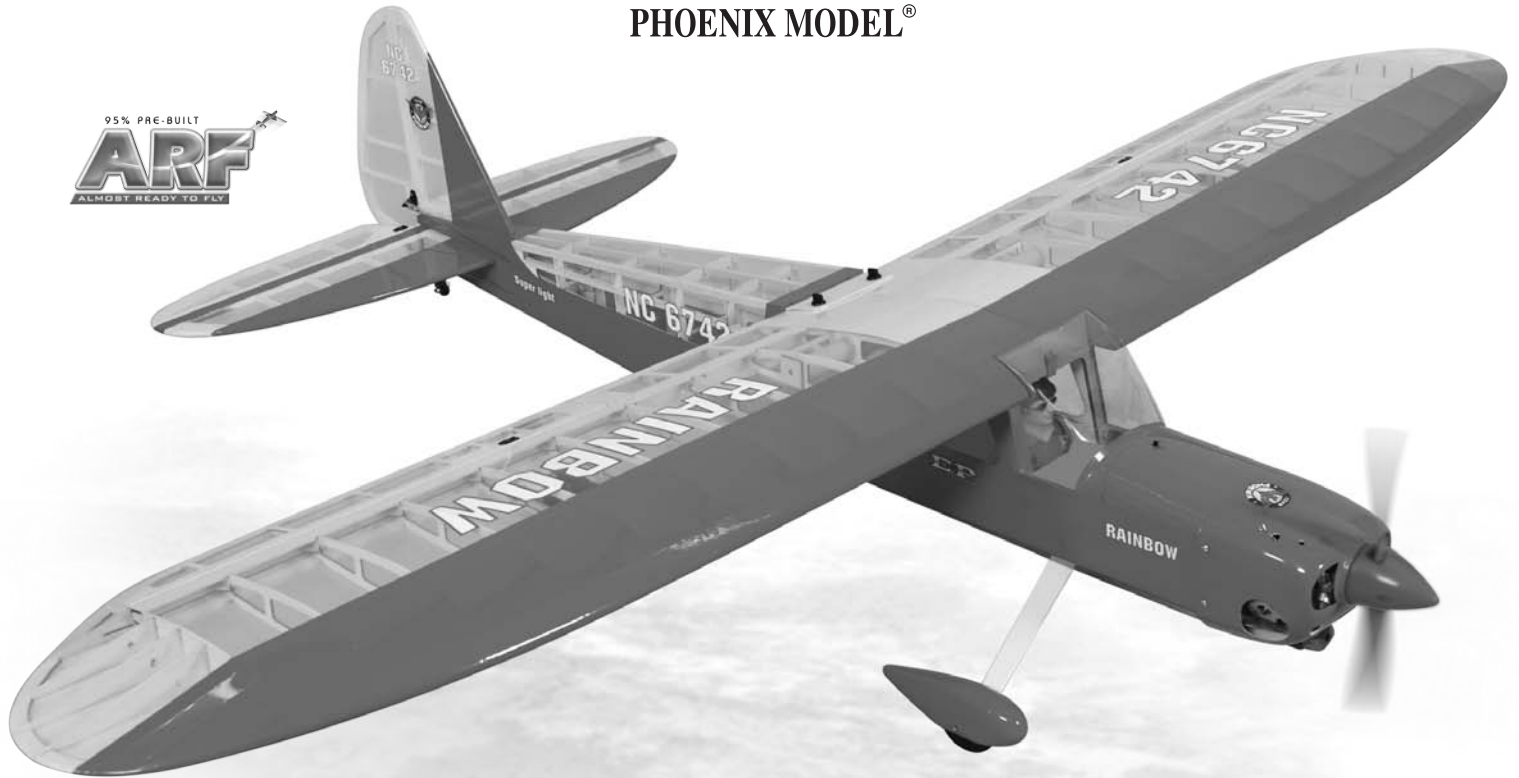


# Instruction Manual



PHOENIX MODEL®



# RAINBOW 2000

## GPIEP .46-.55 SCALE 1:5 ARF

### SPECIFICATION

- **Wingspan:** 2000mm (78.7in)
- **Length:** 1544mm (60.7 in)
- **Flying weight:** 3600-3800 gr
- **Wing area:** 66 dm<sup>2</sup>
- **Wing loading:** 55g/dm<sup>2</sup>
- **Wing type:** Naca airfoils
- **Covering type:** Genuine ORACOVER®
- **Gear type:** Aluminum main gear and spring tail gear (included)
- **Radio:** 4 channel minimum (not included)
- **Servo:** 5 standard servo: 2 aileron; 1 elevator; 1 rudder; 1 throttle (not included)
- **Servo mount:** 21mm x 42 mm
- **Propeller:** suit with your engine
- **Motor:** brushless outrunner 1000-1400 W, 480 KV (not included)
- **Gravity CG:** 110-115 mm (4.3 in) Back from the leading edge of the wing, at the fuselage
- **Control throw Ailerons:** Low: 10mm up/down, 10% expo; High: 12mm up/down, 10% expo
- **Control throw Elevators:** Low: 10mm up/down, 12% expo; High: 12mm up/down, 12% expo
- **Control throw Rudder:** Low: 25mm right/left, 15% expo; High: 40mm right/left, 15% expo
- **Experience level:** Beginner
- **Plane type:** Scale Civilian

### RECOMMENDED MOTOR AND BATTERY SET UP

- **Motor:** RIMFIRE .46-.55 (not included)
- **Lipo cell:** 6 cells / 5500-6000mAh (not included)
- **Esc:** 50-80A (not included)

**TOOLS AND SUPPLIES NEEDED.**

- Medium C/A glue
- 30 minute epoxy
- 6 minute epoxy
- Hand or electric drill
- Assorted drill bits
- Modeling knife
- Straight edge ruler
- 2 bender plier
- Wire cutters
- Masking tape
- Thread lock
- Paper towels
- Rubbing alcohol

**SUGGESTION**

To avoid scratching your new airplane, do not unwrap the pieces until they are needed for assembly. Cover your workbench with an old towel or brown paper, both to protect the aircraft and to protect the table. Keep a couple of jars or bowls handy to hold the small parts after you open the bag.

**NOTE:**

Please trial fit all the parts. Make sure you have the correct parts and that they fit and are aligned properly before gluing! This will assure proper assembly. The RAINBOW 2000 GP/EP .46-.55 SCALE 1:5 ARF is hand made from natural materials, every plane is unique and minor adjustments may have to be made. However, you should find the fit superior and assembly simple.

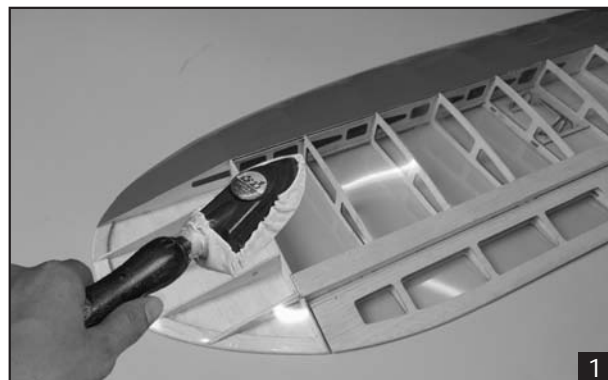
The painted and plastic parts used in this kit are fuel proof. However, they are not tolerant of many harsh chemicals including the following: paint thinner, C/A glue accelerator, C/A glue debonder and acetone. Do not let these chemicals come in contact with the colors on the covering and the plastic parts.

**SAFETY PRECAUTION:**

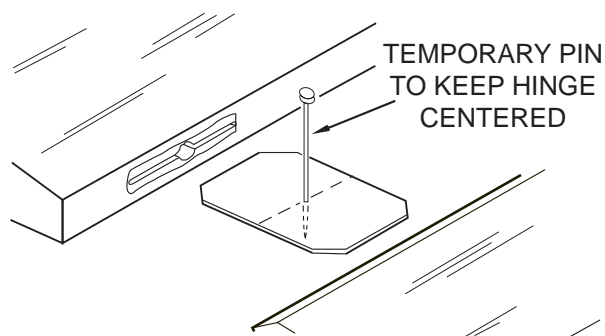
- This is not a toy
- Be sure that no other flyers are using your radio frequency.
- Do not smoke near fuel
- Store fuel in a cool, dry place, away from children and pets.
- Wear safety glasses.
- The glow plug clip must be securely attached to the glow plug.
- Do not flip the propeller with your fingers.
- Keep loose clothing and wires away from the propeller.
- Do not start the engine if people are near. Do not stand in line with the side of the propeller.
- Make engine adjustments from behind the propeller only. Do not reach around the spinning propeller.

**PREPARATIONS**

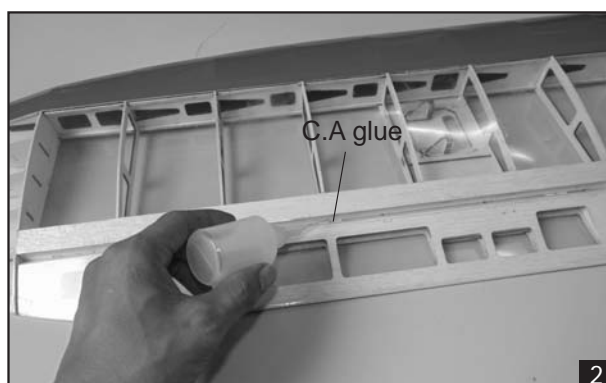
Remove the tape and separate the ailerons from the wing and the elevators from the stab. Use a covering iron with a covering sock on high heat to tighten the covering if necessary. Apply pressure over sheeted areas to thoroughly bond the covering to the wood.

**INSTALLING THE AILERONS**

1. Test fit the ailerons to the wing with the hinges. If the hinges don't remain centered, stick a pin through the middle of the hinge to hold it in position.

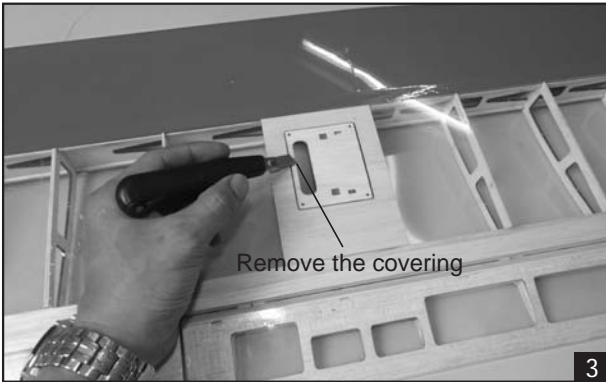


2. Apply six drops of thin CA to the top and bottom of each hinge. Do not use CA accelerator. After the CA has fully hardened, test the hinges by pulling on the aileron.



**INSTALLING THE AILERON SERVOS**

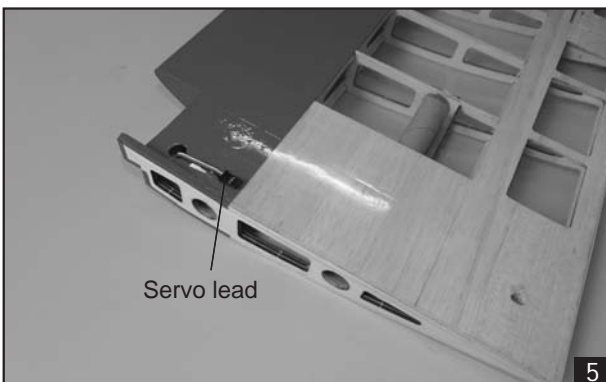
1. Install the rubber grommets and brass eyelets onto the aileron servo.
2. Using a modeling knife, remove the covering from over the pre-cut servo arm exit hole on the aileron servo tray / hatch. This hole will allow the servo arm to pass through when installing the aileron pushrods.



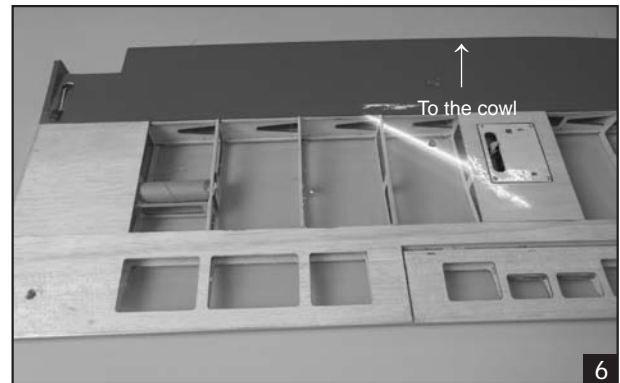
3. Place the servo into the servo tray. Center the servo within the tray and drill 1,6mm pilot holes through the block of wood for each of the four mounting screws provided with the servo.



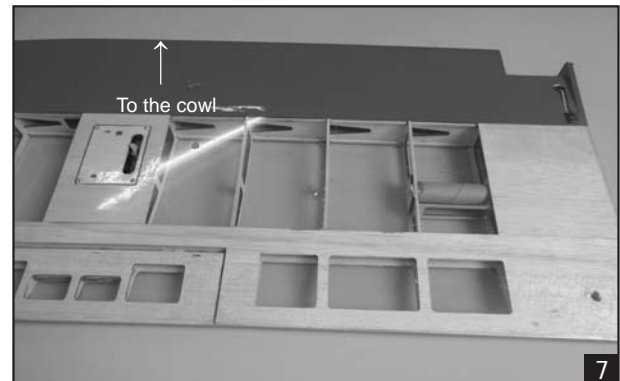
4. Using the thread as a guide and using masking tape, tape the servo lead to the end of the thread: carefully pull the thread out. When you have pulled the servo lead out, remove the masking tape and the servo lead from the thread.



5. Place the aileron servo tray / hatch into the servo box on the bottom of the wing and drill 1,6mm pilot holes through the tray and the servo box for each of the four mounting screws. Secure the servo tray in place using the mounting screws provided ( 2mm x 12mm ).



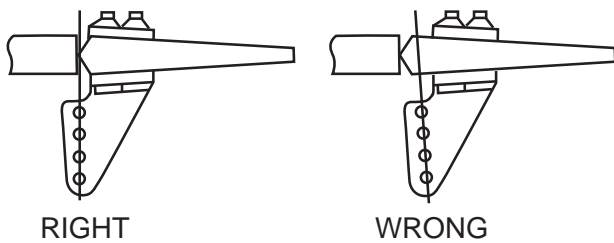
6. Repeat step # 2 - # 5 to install the second aileron servo in the opposite wing half.



**INSTALLING THE CONTROL HORNS**

1. One aileron control horn is positioned on each aileron. Using a ruler and a pen, locate and mark the location of the control horn. It should be mounted on the bottom side of the aileron at the leading edge, in line with the aileron pushrod.
2. Drill two 1.6mm holes through the aileron using the control horn as a guide and screw the control horn in place.

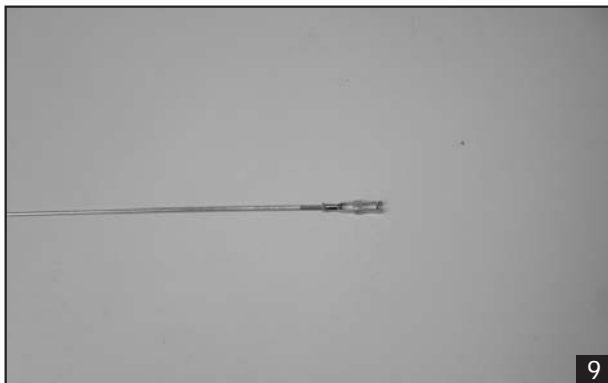




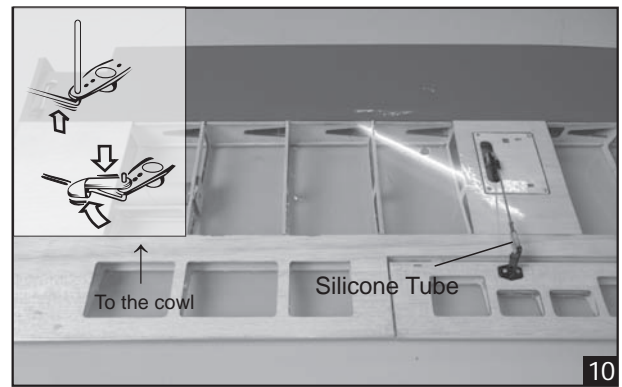
3. Repeat step # 1 - # 2 to install the control horn on the opposite aileron.

### INSTALLING THE AILERON LINKAGES

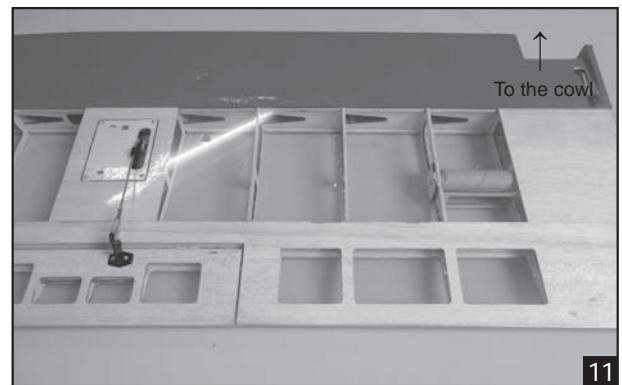
1. Working with the aileron linkage for now, thread one nylon clevis at least 14 turns onto one of the 2mm x 180mm threaded wires.



2. Attach the clevis to the outer hole in the control horn. Install a silicone tube on the clevis.
3. Locate one nylon servo arm, and using wire cutters, remove all but one of the arms. Using a 2mm drill bit, enlarge the third hole out from the center of the arm to accommodate the aileron pushrod wire.
4. Plug the aileron servo into the receiver and center the servo. Install the servo arm onto the servo. The servo arm should be perpendicular to the servo and point toward the middle of the wing.
5. Center the aileron and hold it in place using a couple of pieces of masking tape.
6. With the aileron and aileron servo centered, carefully place a mark on the aileron pushrod wire where it crosses the hole in the servo arm.
7. Using pliers, carefully make a 90 degree bend down at the mark made. Cut off the excess wire, leaving about 4mm beyond the bend.
8. Insert the 90 degree bend down through the hole in the servo arm. Install one nylon snap keeper over the wire to secure it to the arm. Install the servo arm retaining screw and remove the masking tape from the aileron.

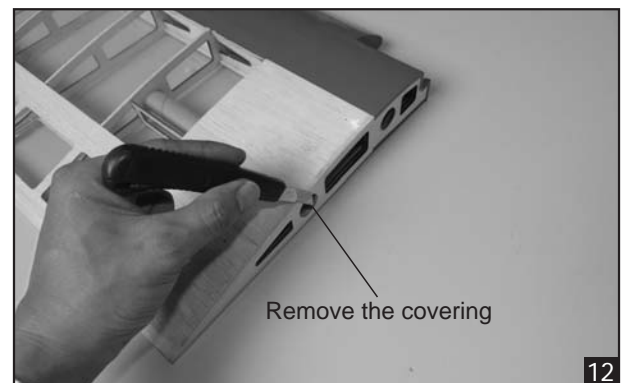


9. Repeat step # 4 - # 8 to install the second aileron linkage. After both linkages are completed, connect both of the aileron servo leads using a Y-harness you have purchased separately.

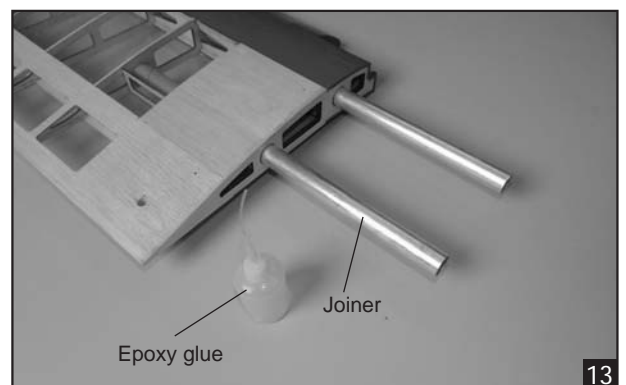


### WING ASSEMBLY

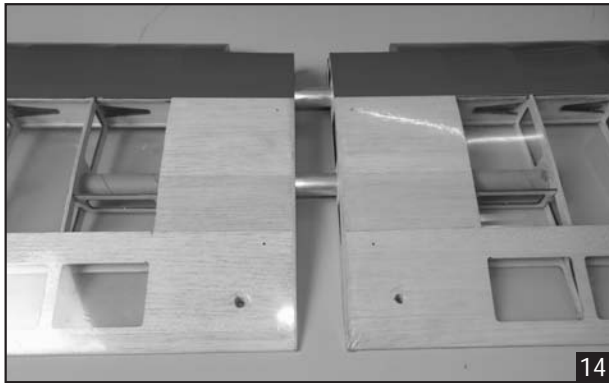
1. Remove the covering from the rear of the wing.



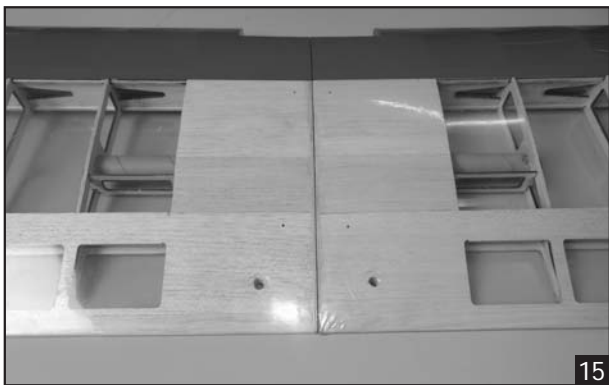
2. Glue wing joiner in wing halves with 30 minute epoxy. Put epoxy on wing joiner and in wing joiner pocket. Wipe off excess epoxy with a paper towel and alcohol.



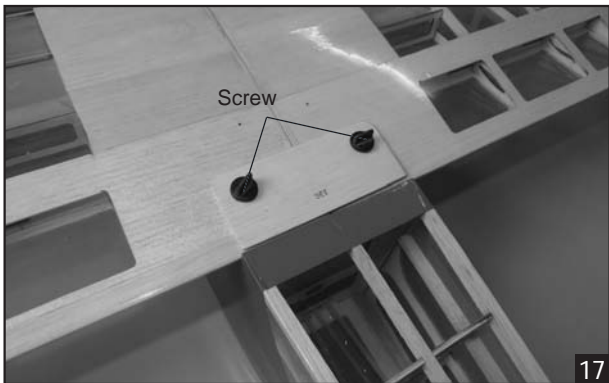
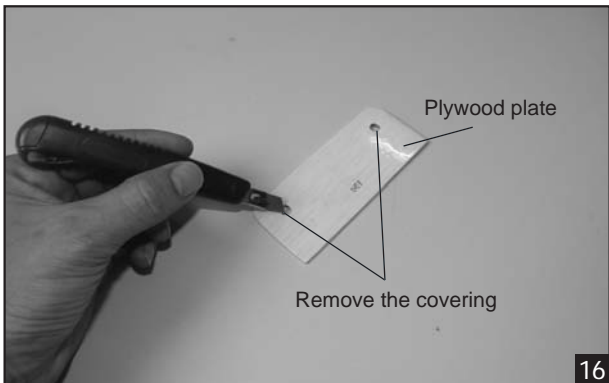
3. Hold wing halves with tape while epoxy cures..



4. Cover wing join with self adhesive trim strip.



5. Secure the wing to the fuselage using the plastic screws

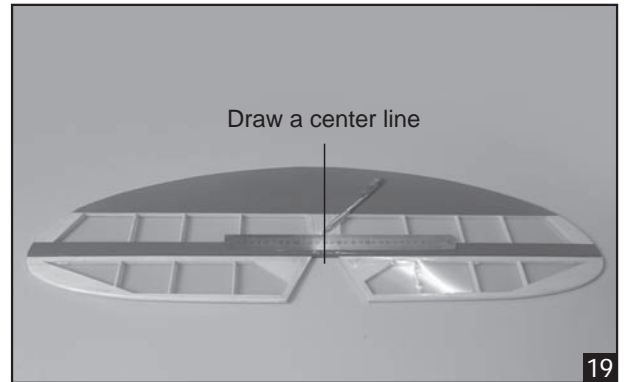


**HORIZONTAL STABILIZER INSTALLATION**

1. Using a modeling knife, cut away the covering from the fuselage for the stabilizer and remove it.

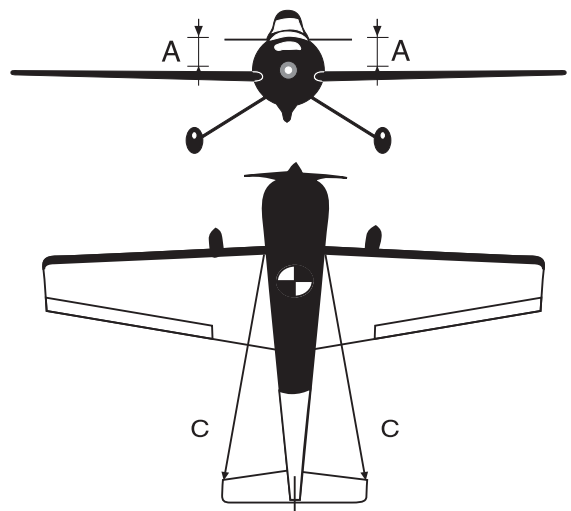
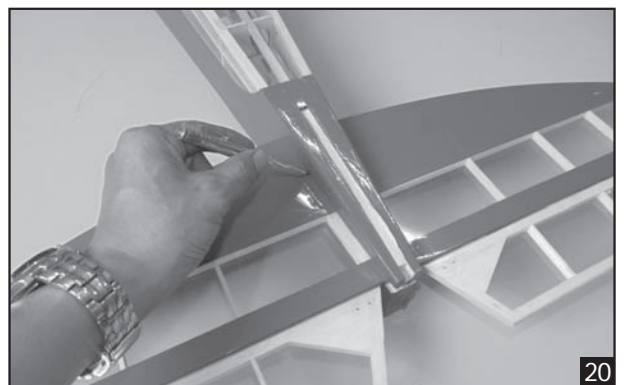


2. Draw a center line onto the horizontal stabilizer.



3. Check the fit of the horizontal stabilizer in its slot. Make sure the horizontal stabilizer is square and centered to the fuselage by taking measurements, but don't glue anything yet.

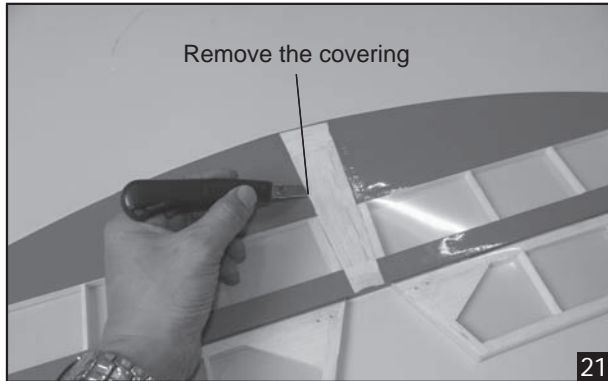
4. With the horizontal stabilizer correctly aligned, mark the shape of the fuselage on the top and bottom of the tail plane using a water soluble / non-permanent felt-tip pen.



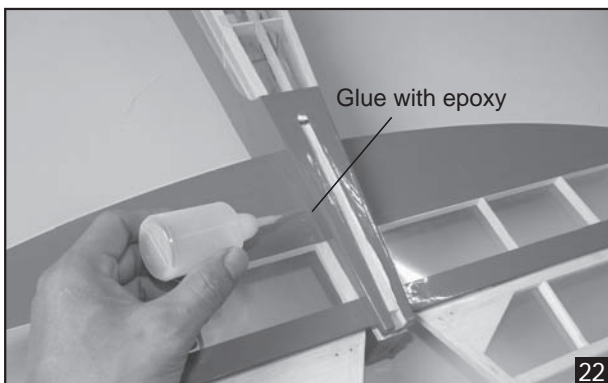
- Remove the stabilizer. Using the lines you just drew as a guide, carefully remove the covering from between them using a modeling knife.



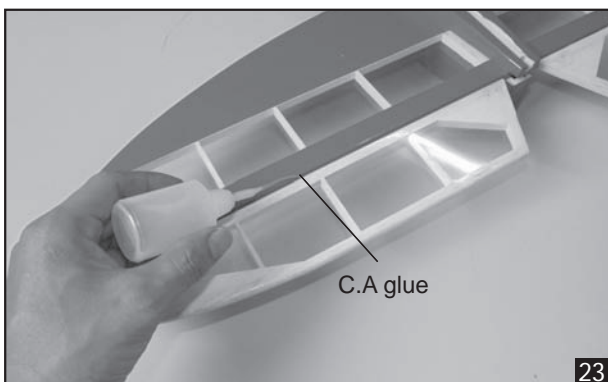
*When cutting through the covering to remove it, cut with only enough pressure to only cut through the covering it's self. Cutting into the balsa structure may weaken it. This could lead to possible failure during flight.*



- When you are sure that everything is aligned correctly, mix up a generous amount of 30 minute epoxy. Apply a thin layer to the top and bottom of the stabilizer mounting area and to the stabilizer mounting platform sides in the fuselage. Slide the stabilizer in place and re-align. Double check all of your measurements one more time before the epoxy cures. Remove any excess epoxy using a paper towel and rubbing alcohol and hold the stabilizer in place with T-pins or masking tape.
- After the epoxy has fully cured, remove the masking tape or T-pins used to hold the stabilizer in place and carefully inspect the glue joints. Use more epoxy to fill in any gaps that were not filled previously and clean up the excess using a paper towel and rubbing alcohol.

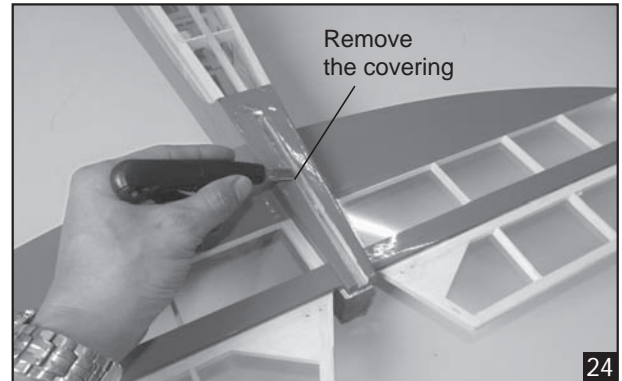


- Glue the elevator to the horizontal stabilizer by C.A glue.



## VERTICAL STABILIZER INSTALLATION

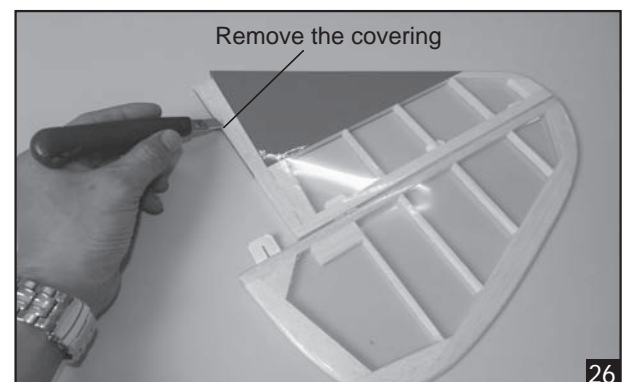
- Using a modeling knife, remove the covering on the top of the fuselage for the vertical stabilizer.



- Slide the vertical stabilizer into the slot in the mounting platform in the top of the fuselage. Mark the shape of the fuselage on the left and right sides of the vertical stabilizer using a felt-tip pen.

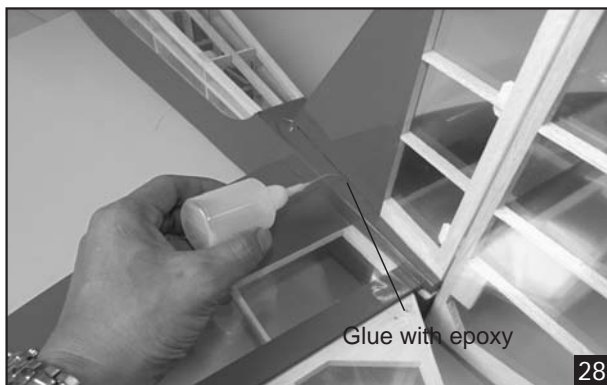
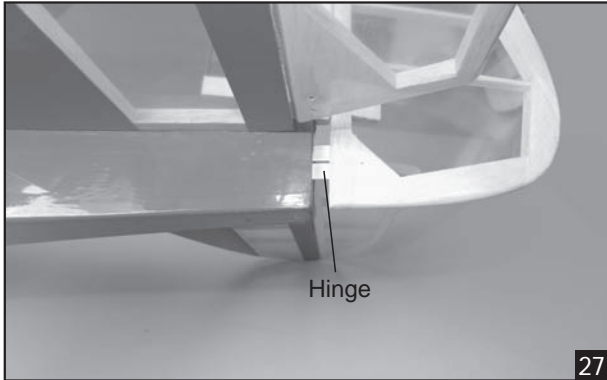


- Now, remove the vertical stabilizer and using a modeling knife, carefully cut just inside the marked lines and remove the film on both sides of the vertical stabilizer. Just as you did with the horizontal stabilizer, make sure you only press hard enough to cut the film, not the balsa vertical stabilizer.

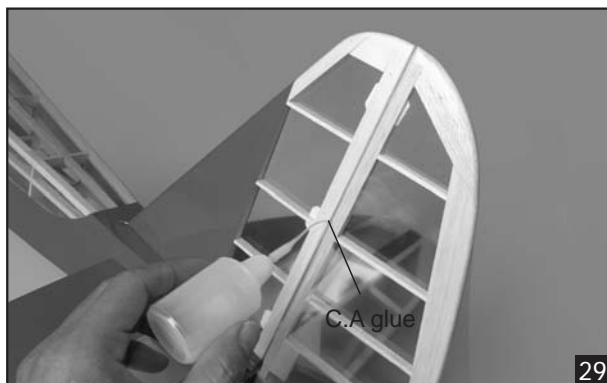


- Slide the vertical stabilizer back in place. Using a triangle, check to ensure that the vertical stabilizer is aligned 90 degree to the horizontal stabilizer.

- When you are sure that everything is aligned correctly, mix up a generous amount of 30 minute epoxy. Apply a thin layer to the slot in the mounting platform and to the vertical stabilizer mounting area. Apply epoxy to the lower rudder hinge. Set the stabilizer in place and re-align. Double check all of your measurements once more before the epoxy cures. Remove any excess epoxy using a paper towel and rubbing alcohol and hold the stabilizer in place with T-pins or masking tape. Allow the epoxy to fully cure before proceeding.



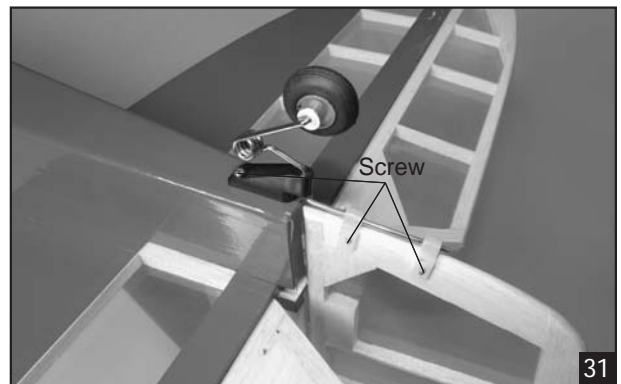
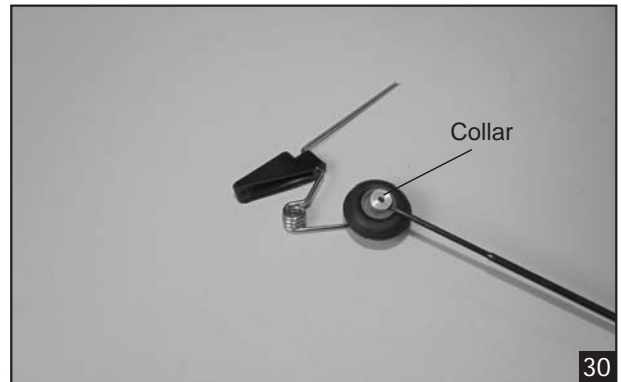
- Glue the rudder to the vertical stabilizer by C.A glue.



**INSTALLING THE TAIL WHEEL**

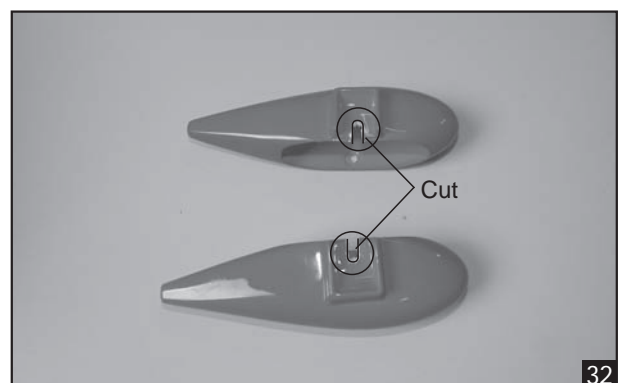
- Using the knife cut away the wood from the bottom of the rudder and slide the two nylon clasps into the slot. Using C.A glue the nylon clasps as shown.

- Set the tail wheel assembly in place on the plywood plate.
- Drill 2,6mm pilot holes through the plywood plate.
- Secure the tail wheel bracket in place using two 3mm x 12mm screw.
- Align the tail wheel wire so that the wire is parallel with the bottom of the rudder.



**INSTALLING THE WHEEL PANTS**

- Locate the wheel pants from the hardware bag. Mark the locations of the mounting axles onto the wheel pants. The locations of the two mounting holes are the middle of the wheel opening, on right side, left side and 10mm from the bottom of the wheel pant.
- Using a 5mm drill bit, carefully drill two pilot holes through the wheel pant at the TWO marks you made.



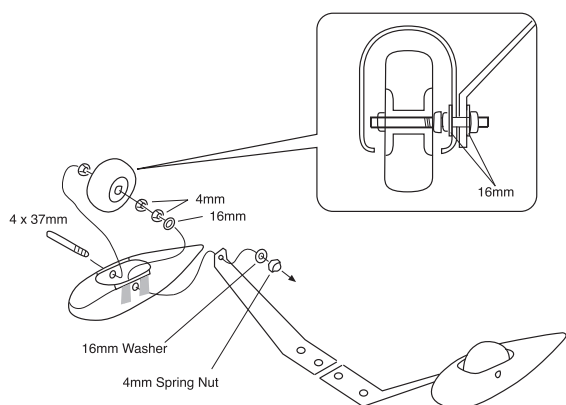
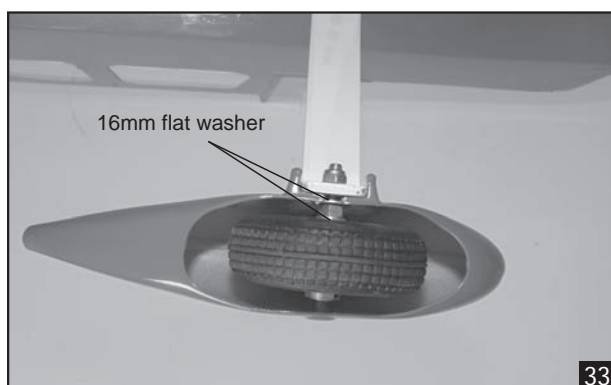
- Using a modeling knife, carefully cut out two line from the margin of the hole onto the wheel pant.

Just cut only one side of the wheel pant, where the main gear will install. Be sure to make a left and right wheel pant.

- Slide a 4.5mm nut/ two 16mm flat washers / 4.5mm nut / collar / wheel / collar onto the axle.
- Slide the axle assembly into the wheel pant.

**!** *There are just one nut and two flat washers outside of the wheel pant.*

- Remove one nut, one flat washer. Attach the main landing gear to the axle.
- Center both collars and wheel in the middle of the wheel pant, lock both collars in place using a hexagon 2mm screw.
- With the landing gear in place, tighten two nuts.



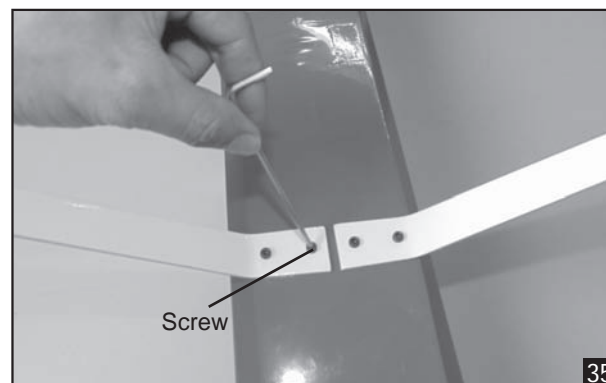
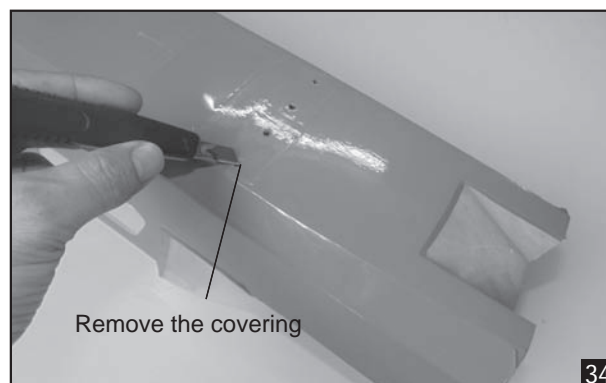
**!** *After installing the wheel pant, apply a small drop of thin C/A to the bottom nut.*

- Repeat step # 1-8 to install the second wheel pant assembly.

## MAIN GEAR INSTALLATION

### INSTALLING THE MAIN LANDING GEAR

- Four nuts have been installed at the factory.
- Install main landing gear into the fuselage using (4) 4mm x 20mm machine screws and 16mm flat washers provided in the kit.



## INSTALLING THE THROTTLE PUSHROD HOUSING

- Place the engine into the engine mount and align it properly with the front of the cowling. The distance from the firewall to the front of the engine thrust washer should 110mm.

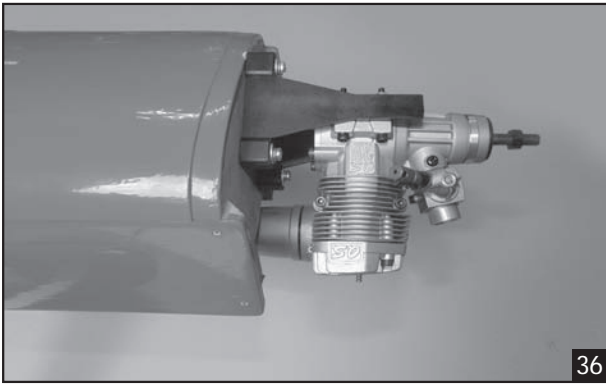
**!** *If your engine is equipped with a remote needle valve, we suggest installing it into the engine at this time.*

- When satisfied with the alignment of the engine, use a pencil and mark the mounting hole location onto the firewall, where the throttle pushrod will exit.
- Now, remove the engine. Using a 5mm drill bit, drill holes through the firewall and the forward bulkhead at the marks made.
- Slide the pushrod housing through the hole in the firewall, through the hole in the forward bulkhead, and into the servo compartment.
- Apply a couple of drops of thin C/A to the pushrod housing where it exits the firewall and where it passes through the forward bulkhead. This will secure the housing in place.
- Using a modeling knife, cut off the nylon pushrod housing 26mm in front of the servo tray.

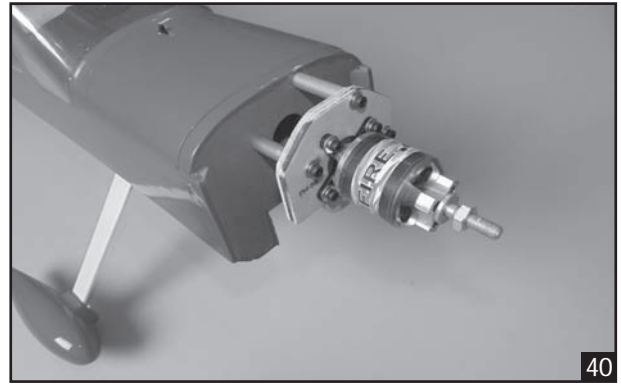
## INSTALLING THE ENGINE

Locate the long piece of wire used for the throttle pushrod. One end of the wire has been pre-bend in to a "Z" bend at the factory. This "Z" bend should be inserted into the throttle arm of the engine when the engine is fitted onto the engine mount. Fit the engine to the engine mount using the screws provided.





36



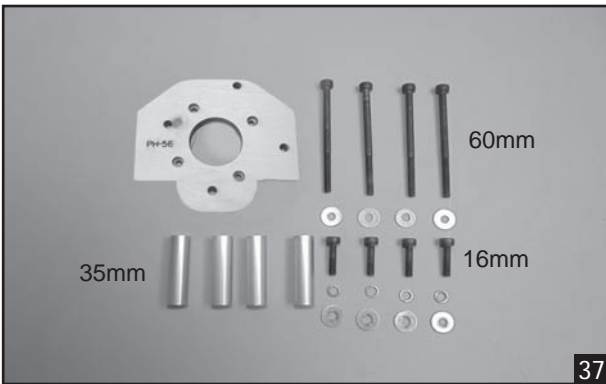
40

## INSTALLING THE MOTOR AND BATTERY

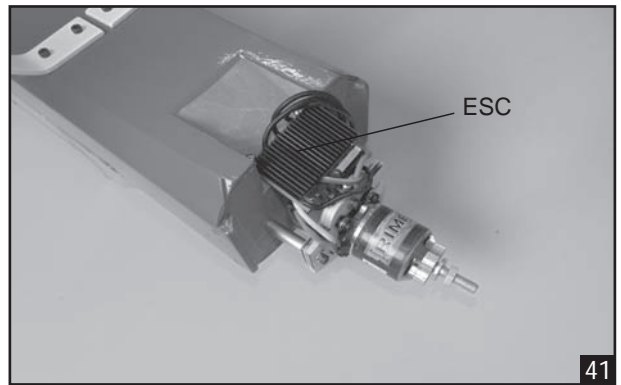
### Installing the electric motor

This model can fly with electric, here is our recommended for set up the system.

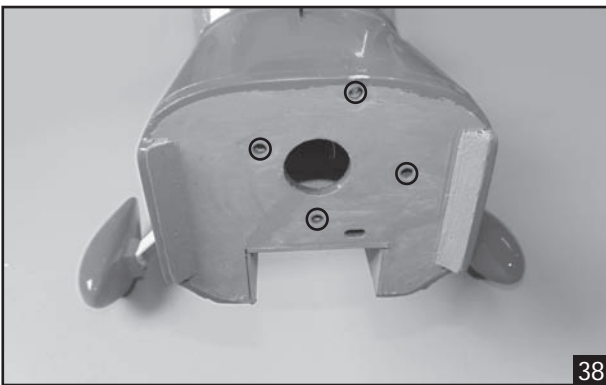
- Motor brushless: Rimfire .46 - .55
- Lipo cells: 6 cells / 5500 - 6000 mAh.
- ESC: 50A - 80A.



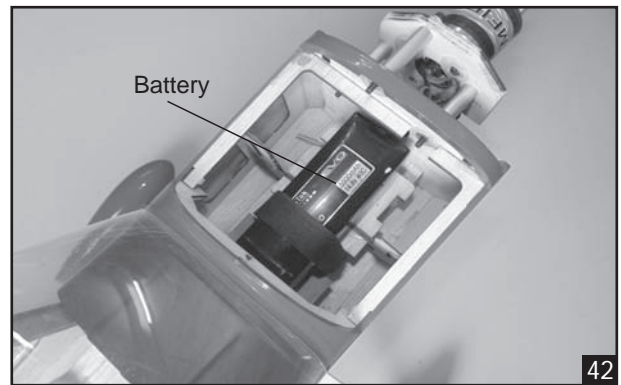
37



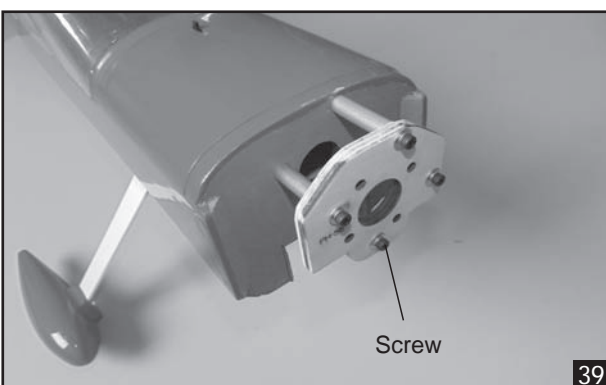
41



38



42



39

## FUEL TANK

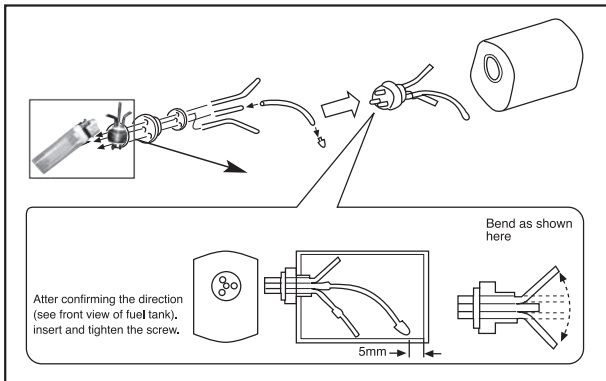
### INSTALLING THE STOPPER ASSEMBLY

1. The stopper has been pre-assembled at the factory.
2. Using a modeling knife, cut one length of silicon fuel line (the length of silicon fuel line is calculated by how the weighted clunk should rest about 8mm away from the rear of the tank and move freely inside the tank). Connect one end of the line to the weighted clunk and the other end to the nylon pick up tube in the stopper.

3. Carefully bend the second nylon tube up at a 45 degree angle (using a cigarette lighter). This tube will be the vent tube to the muffler.
4. Carefully bend the third nylon tube down at a 45 degree angle (using a cigarette lighter). This tube will be vent tube to the fueling valve



*When the stopper assembly is installed in the tank, the top of the vent tube should rest just below the top surface of the tank. It should not touch the top of the tank.*



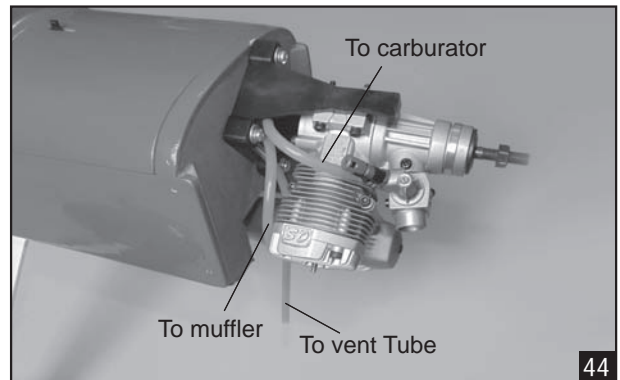
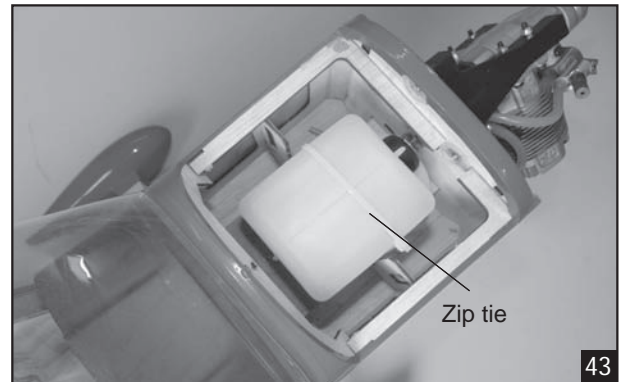
5. Test fit the stopper assembly into the tank. It may be necessary to remove some of the flashing around the tank opening using a modeling knife. If flashing is present, make sure none of it falls into the tank.
6. When satisfied with the alignment of the stopper assembly tighten the 3mm x 20mm machine screw until the rubber stopper expands and seals the tank opening. Do not over tighten the assembly as this could cause the tank to split.
7. Using a modeling knife, cut 3 lengths of fuel line 150mm long. Connect 2 lines to the 2 vent tubes and 1 line to the fuel pickup tube in the stopper.
8. Feed three lines through the fuel tank compartment and through the pre-drilled hole in the firewall. Pull the lines out from behind the engine, while guiding the fuel tank into place. Push the fuel tank as far forward as possible, the front of the tank should just about touch the back of the firewall.

Blow through one of the lines to ensure the fuel lines have not become kinked inside the fuel tank compartment. Air should flow through easily.



*Do not secure the tank into place permanently until after balancing the airplane. You may need to remove the tank to mount the battery in the fuel tank compartment.*

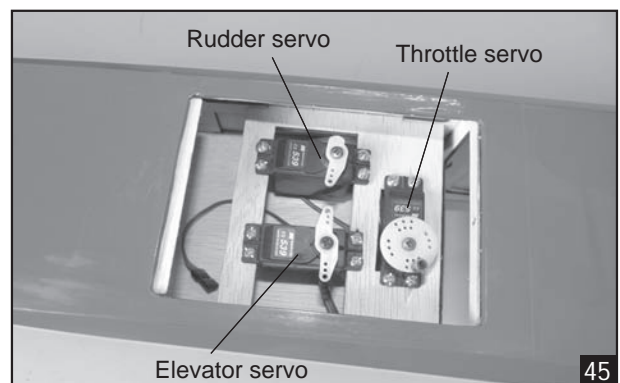
9. To secure the fuel tank in place, apply a bead of silicon sealer to the forward area of the tank, where it exits the fuselage behind the engine mounting box and to the rear of the tank at the forward bulkhead.



## SERVO INSTALLATION

### INSTALLING THE FUSELAGE SERVOS

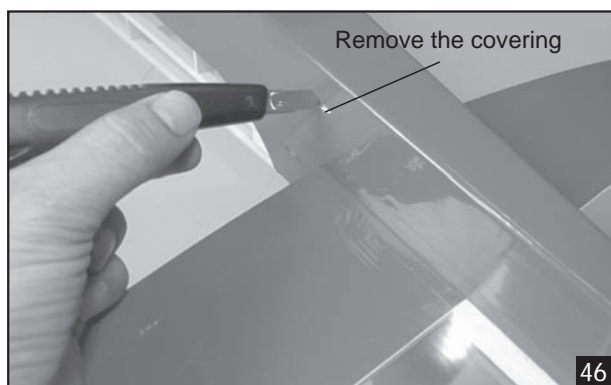
1. Install the rubber grommets and brass collets into the elevator, rudder and throttle servos. Test fit the servos into the servo tray. Trim the tray if necessary to fit your servos
2. Mount the servos to the tray using the mounting screws provided with your radio system.



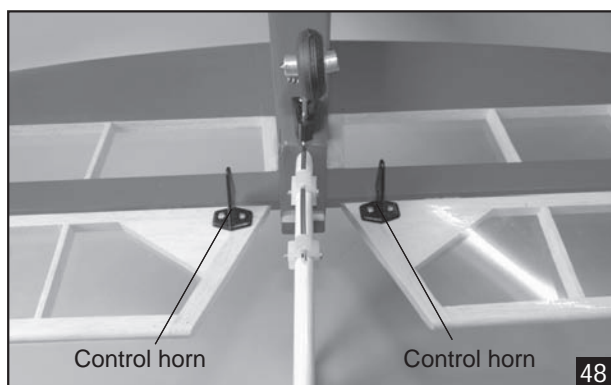
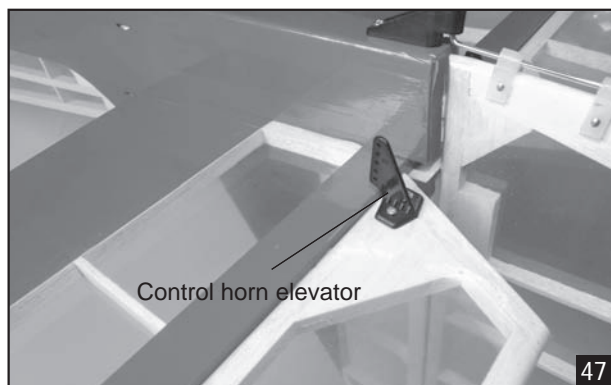
### INSTALLING THE ELEVATOR PUSHROD

1. Locate the pushrod exit slot on the right side and left side of the fuselage. It is located slightly ahead and below the horizontal stabilizer.

- Carefully cut away the covering material from the slot.

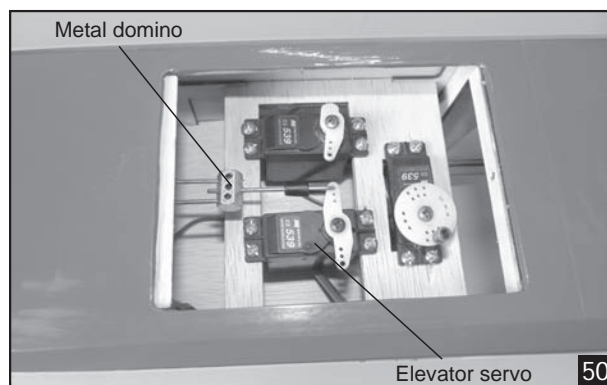


- Working from inside the fuselage, slide the threaded end of the pushrod until it reaches the exit slot. Carefully reach in with a small screw driver and guide the pushrod out of the exit slot.
- Install the clevis into the two elevator pushrod. Make sure 6mm of thread shows inside the clevis.
- The control horn should be mounted on the bottom, left side and right side of the elevator at the leading edge, in line with the elevator pushrod.
- Drill two holes through the elevator using the control horn as a guide and screw the control horn in place.



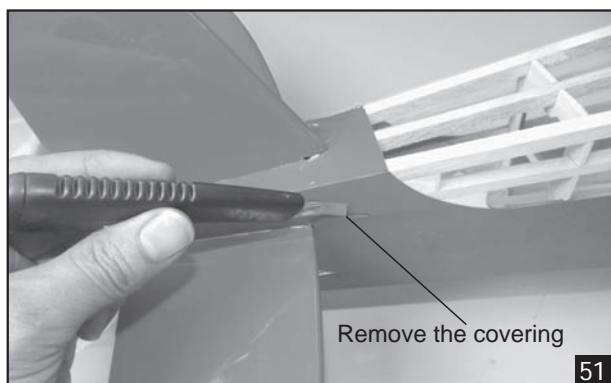
- Attach clevis to the hole in the control horn. Install a silicone tube on the clevis.

- Connect the two elevator pushrod using the metal domino.
- Locate one nylon servo arm, and using wire cutters, remove all but one of the arms. Using a 2mm drill bit, enlarge the third hole out from the center to accommodate the elevator pushrod wire.
- Plug the elevator servo into the receiver and center the servo. Install the servo arm onto the servo. The servo arm should be perpendicular to the servo and point toward the middle of the fuselage.
- Be sure both elevator halves are flat. Center both elevator halves and hold them in place using a couple of pieces of masking tape.
- With the elevator halves and elevator servo centered, carefully place a mark on the elevator pushrod wire where it crosses the hole in the servo arm.
- Using pliers, carefully make a 90 degree bend up at the mark made. Cut off the excess wire, leaving about 8mm beyond the bend.
- Insert the 90 degree bend up through the hole in the servo arm, install one nylon snap keeper over the wire to secure it to the arm. Install the servo arm retaining screw and remove the masking tape the elevator halves.

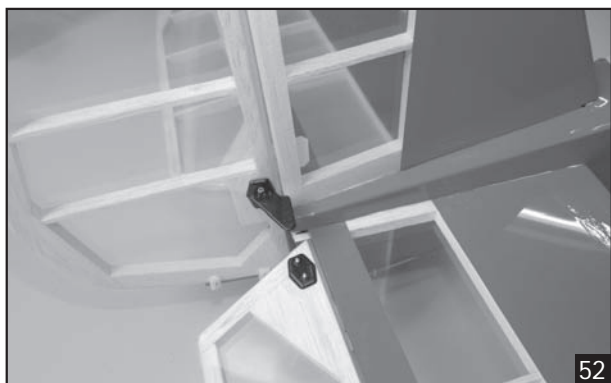


**INSTALLING THE RUDDER PUSHROD**

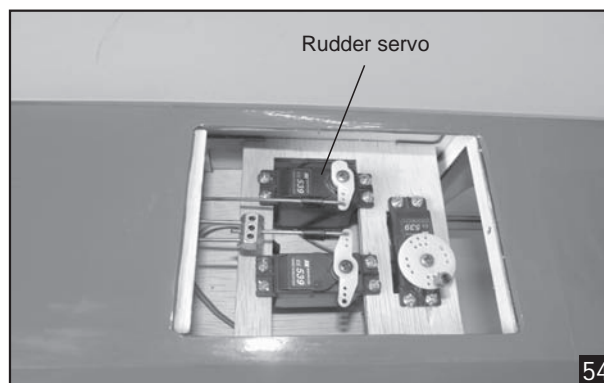
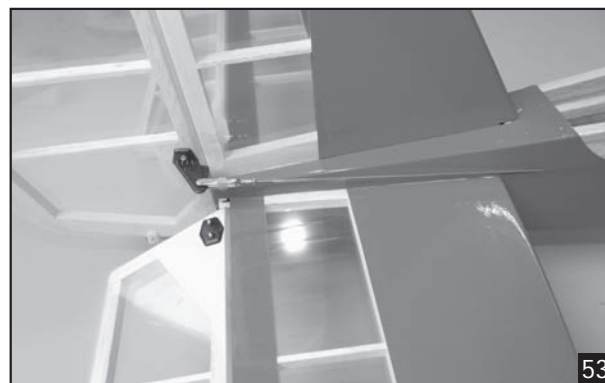
- Locate the pushrod exit slot on the right of the fuselage.
- Carefully cut away the covering material from the slot.



3. Working from inside the fuselage, slide the threaded end of the remaining pushrod down the inside of the fuselage until the pushrod reaches the exit slot. Carefully reach in with a small screw driver and guide the pushrod out of the exit slot.
4. Install the clevis on the rudder pushrod. Make sure 6mm of thread shows inside the clevis.
5. The control horn should be mounted on the left side of the rudder at the leading edge, in line with the rudder pushrod.
6. Drill two holes through the rudder using the control horn as a guide and screw the control horn in place.
7. Attach clevis to the hole in the control horn. Install a silicone tube on the clevis.



8. Locate one nylon servo arm, and using wire cutters, remove all but one of the arms using a 2mm drill bit, enlarge the third hole out from the center to accommodate the rudder pushrod wire.
9. Plug the rudder servo into the receiver and center the servo. Install the servo arm onto the servo.
10. Center the rudder and hold it in place using a piece of masking tape.
11. With the rudder and rudder servo centered, carefully place a mark on the rudder pushrod wire where it crosses the hole in the servo arm.
12. Using a pliers, carefully make a 90 degree bend up at the mark made. Cut off excess wire, leaving about 8mm beyond the bend.
13. Insert the 90 degree bend up through the hole in the servo arm. Install one nylon snap keeper over the wire to secure it to the arm. Install the servo arm retaining screw and remove the masking tape from the rudder.



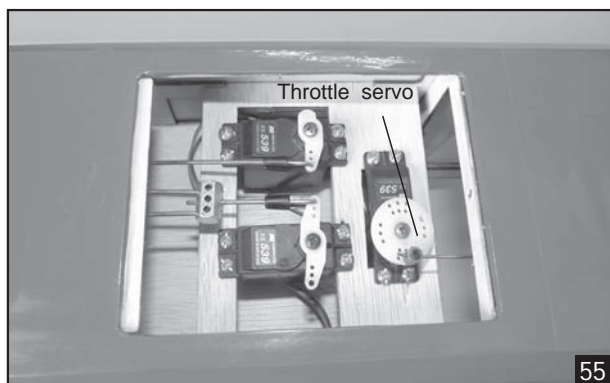
## INSTALLING THE THROTTLE

1. Install one adjustable metal connector through the third hole out from the center of one servo arm, enlarge the hole in the servo arm using a 2mm drill bit to accommodate the servo connector. Remove the excess material from the arm.



*After installing the adjustable metal connector apply a small drop of thin C/A to the bottom nut. This will prevent the connector from loosening during flight.*

2. Plug the throttle servo into the receiver and turn on the radio system. Check to ensure that the throttle servo output shaft is moving in the correct direction. When the throttle stick is moved forward from idle to full throttle, the throttle barrel should also open and close using this motion. If not, reverse the direction of the servo, using the transmitter.
3. Slide the adjustable metal connector / servo arm assembly over the plain end of the pushrod wire. Position the throttle stick and the throttle trim at their lowest positions.
4. Manually push the carburetor barrel fully closed. Angle the arm back about 45 degree from center and attach the servo arm onto the servo. With the carburetor barrel fully closed, tighten the set screw in the adjustable metal connector.
5. Remove the excess throttle pushrod wire using wire cutters and install the servo arm retaining screw.



## **MOUNTING THE COWL**

1. Remove the muffler and needle valve assembly from the engine. Slide the fiberglass cowl over the engine.
2. Measure and mark the locations to be cut out for engine head clearance, needle valve, muffler,. Remove the cowl and make these cutouts using a rotary tool with a cutting disc and a rotary sanding drum attachment.
3. Slide the cowl back into place. Align the front of the cowl with the crankshaft of the engine. The front of the cowl should be positioned so the crankshaft is in the middle of the precut opening. Hold the cowl firmly in place using several pieces of masking tape.
4. While holding the cowl firmly in position, drill four 1,6mm pilot holes through both the cowl and the side edges of the firewall.
5. Using a 2mm drill bit, enlarge the four holes in the cowling

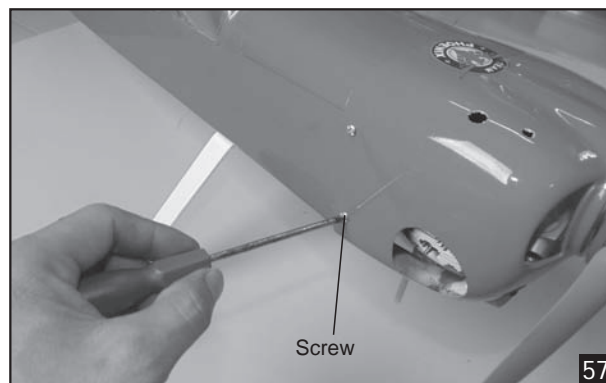


*Enlarging the holes through the cowl will prevent the fiberglass from splitting when the mounting screws are installed.*

6. Slide the cowl back over the engine and secure it in place using four 3mm x 12mm wood screws.



7. Install the muffler. Connect the fuel and pressure lines to the carburator, muffler and fuel filler valve. Tighten the screws completely.



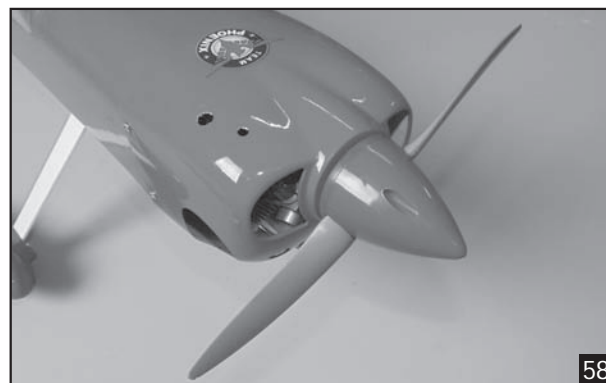
## **FINAL ASSEMBLY**

### **INSTALLING THE SPINNER**

Install the spinner back-plate, propeller and spinner cone. The spinner cone is held in place using two 3mm x 12mm wood screws.

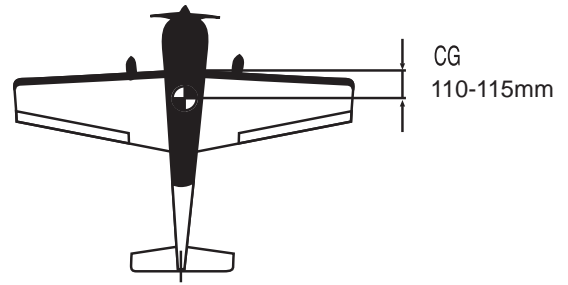
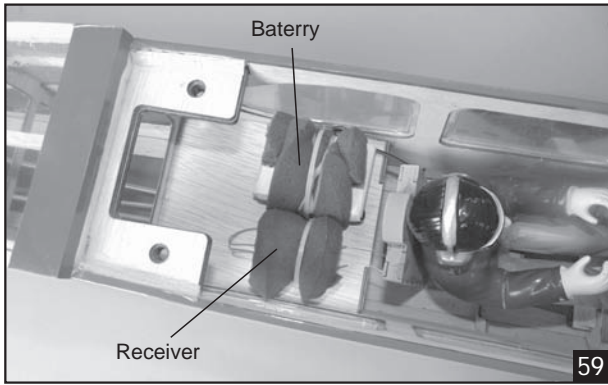


*The propeller should not touch any part of the spinner cone. If it does, use a sharp modeling knife and carefully trim away the spinner cone where the propeller comes in contact with it.*




### **INSTALLING THE RECEIVER AND BATTERY**

1. Plug the servo leads and the switch lead into the receiver. You may want to plug an aileron extension into the receiver to make plugging in the aileron servo lead easier when you are installing the wing. Plug the battery pack lead into the switch.
2. Wrap the receiver and battery pack in the protective foam to protect them from vibration. Use a rubber band or masking tape to hold the foam in place.



**LATERAL BALANCE**

 After you have balanced a plane on the C.G. You should laterally balance it. Doing this will help the airplane track straighter

**INSTALLING THE SWITCH**

1. The switch should be mounted on the fuselage side, opposite the muffler, close enough to the receiver so the lead will reach. Use the face plate of the switch cut out and locate the mounting holes.
2. Cut out the switch hole using a modeling knife. Use a 2mm drill bit and drill out the two mounting holes through the fuselage side.
3. Secure the switch in place using the two machine screws provided with the radio system.

1. Turn the airplane upside down. Attach one loop of heavy string to the engine crankshaft and one to the tail wheel wire. With the wings level, carefully lift the airplane by the string. This may require two people to make it easier.
2. If one side of the wing fall, that side is heavier than the opposite. Add small amounts of lead weight to the bottom side of the lighter wing half's wing tip. Follow this procedure until the wing stays level when you lift the airplane.

**BALANCING**

1. It is critical that your airplane be balanced correctly. Improper balance will cause your plane to lose control and crash.

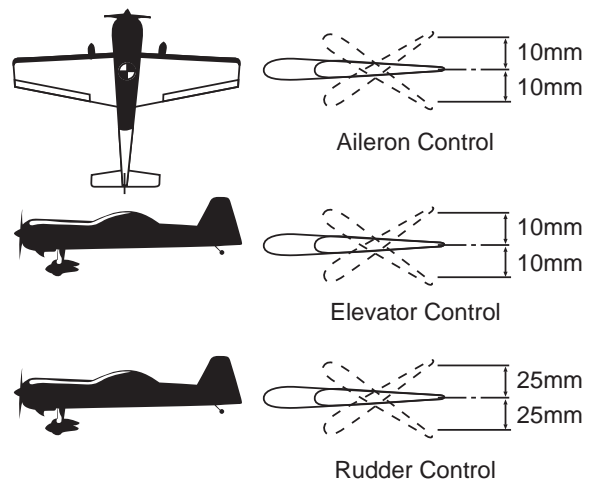
THE CENTER OF GRAVITY IS LOCATED 110-115mm BACK FROM THE LEADING EDGE OF THE WING, AT THE FUSELAGE.

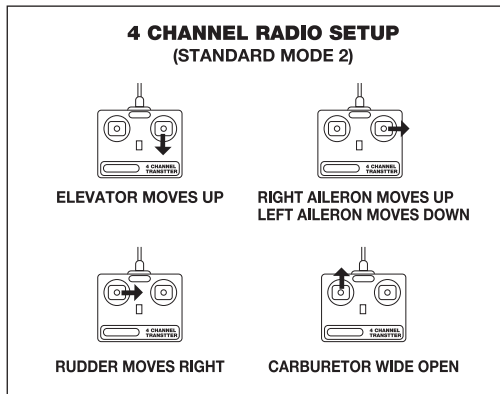
2. Mount the wing to the fuselage. Using a couple of pieces of masking tape, place them on the top side of the wing 110-115mm back from the leading edge, at the fuselage sides.
3. Turn the airplane upside down. Place your fingers on the masking tape and carefully lift the plane .
4. If the nose of the plane falls, the plane is nose heavy. To correct this first move the battery pack further back in the fuselage. If this is not possible or does not correct it, stick small amounts of lead weight on the fuselage under the horizontal stabilizer. If the tail of the plane falls, the plane is tail heavy. To correct this, move the battery and receiver forward or if this is not possible, stick weight into the firewall. When balanced correctly, the airplane should sit level or slightly nose down when you lift it up with your fingers.

**CONTROL THROWS**

1. We highly recommend setting up a plane using the control throws listed.
2. The control throws should be measured at the widest point of each control surface.
3. Check to be sure the control surfaces move in the correct directions.

Ailerons	: 10mm up	10mm down
Elevator	: 10mm up	10mm down
Rudder	: 25mm right	25mm left





### **FLIGHT PREPARATION PRE FLIGHT CHECK**

1. Completely charge your transmitter and receiver batteries before your first day of flying.
2. Check every bolt and every glue joint in your plane to ensure that everything is tight and well bonded.
3. Double check the balance of the airplane
4. Check the control surface
5. Check the receiver antenna. It should be fully extended and not coiled up inside the fuselage.
6. Properly balance the propeller.

# I/C FLIGHT GUIDELINES

